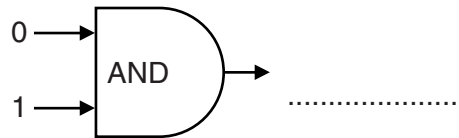
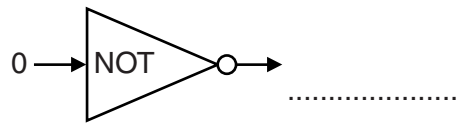


3 (a) State the output of each of the following logic circuits for the inputs given.



[2]

(b) Fig. 1 is a circuit diagram.

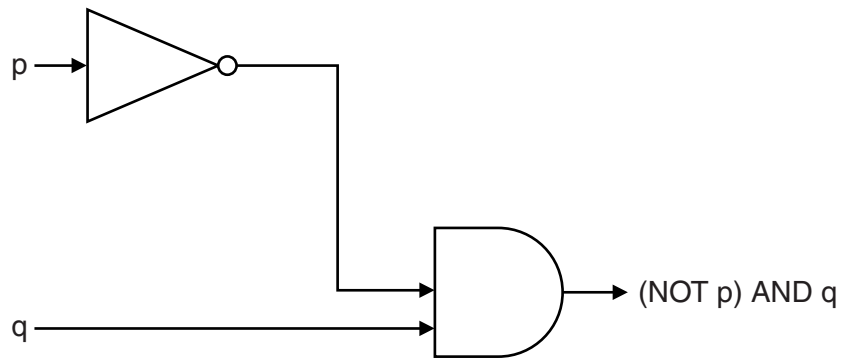


Fig. 1

Complete the truth table for Fig. 1.

p	q	(NOT p) AND q
0	0	0
1	0	0

[3]